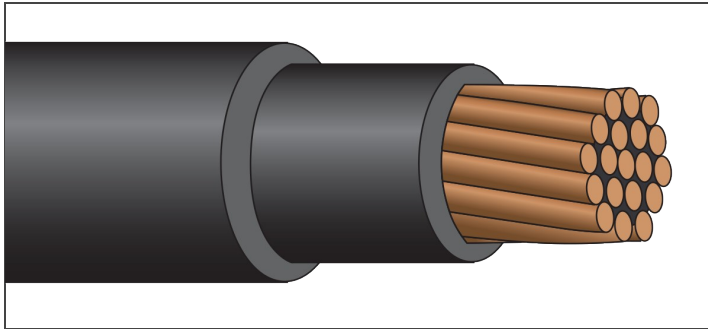


SINGLE CONDUCTORS



XHHW-2/PVC

600/1,000 Volt Copper



Description:

Single copper conductor, stranded and insulated with moisture and heat resistant, chemically crosslinked polyethylene (*type XHHW-2*) and covered with a sunlight resistant, PVC jacket. **Available with tinned conductors. Jacket available in colors.**

Standards:

UL 44
ICEA S-95-658/NEMA WC-70
Federal Spec. A-A-59544
Flame Rated: CT Use (*1/0 AWG and larger*)
Temperature Rated at 90°C Wet/Dry
Sunlight Resistant
RoHS Compliant

Part Number	Size (AWG or Kcmil)	Strand (no.)	Insulation Thickness (mils)	Jacket Thickness (mils)	Nominal Diameter Overall (in.)	Approx. Net Weight (lb./1000')	Ampacity* (30°C ambient) 90°C Wet/Dry
XHPVC14	14	7	30	30	0.19	27	25†
XHPVC12	12	7	30	30	0.21	37	30†
XHPVC10	10	7	30	30	0.24	51	40†
XHPVC8	8	7	45	30	0.29	79	55
XHPVC6	6	7	45	30	0.33	114	75
XHPVC4	4	7	45	30	0.38	169	95
XHPVC3	3	7	45	30	0.40	206	115
XHPVC2	2	7	45	30	0.43	253	130
XHPVC1	1	19	55	45	0.52	331	145
XHPVC1/0	1/0	19	55	45	0.56	409	170
XHPVC2/0	2/0	19	55	45	0.60	503	195
XHPVC3/0	3/0	19	55	45	0.65	620	225
XHPVC4/0	4/0	19	55	45	0.71	767	260
XHPVC250	250	37	65	65	0.80	922	290
XHPVC300	300	37	65	65	0.85	1,088	320
XHPVC350	350	37	65	65	0.90	1,253	350
XHPVC400	400	37	65	65	0.95	1,417	380
XHPVC500	500	37	65	65	1.03	1,745	430
XHPVC600	600	61	80	65	1.13	2,090	475
XHPVC750	750	61	80	65	1.23	2,577	535

*Per NEC Table 310.15 (B)(16). †The overcurrent protection for items marked with an obelisk (†) shall not exceed 15 amps for #14 AWG, 20 amps for #12 AWG, and 30 amps for #10 AWG per NEC 310-17 footnote. NOTE: The data shown is approximate and subject to standard industry tolerances.