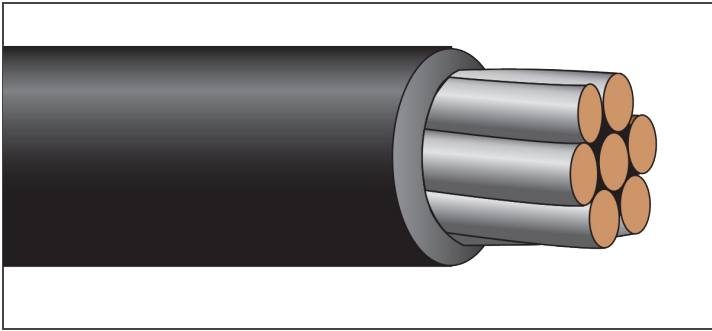


SINGLE CONDUCTORS



SERVICEPRO-X® RW90

600 Volt Copper, FT-1, Tinned
No Pulling Lubricant Required



Description:

Single tinned copper conductor, stranded and insulated with moisture, heat, and flame resistant, chemically crosslinked polyethylene. ServicePRO-X® Insulation—No Pulling Lubricant Required (#6 AWG and larger). **Available in colors.**

Application:

Suitable for general purpose wiring, power distribution, and branch circuit wiring, where a cable having superior flame retardance is required. Suitable for use in 105°C dry systems. Also suitable for use in low leakage circuits requiring a dielectric constant of 3.5 or less (*Hospital Grade*).

Standards:

ASTM Standards: B-3 (*soft or annealed*), B-8 (*concentric lay stranded*), B-33 (*tinned*), B787 (*combination strand*)
 UL 44, CSA RW90: Certified by CSA for use in Canada
 CSA C22.2 No. 38
 ICEA S-95-658/NEMA WC-70
 Flame Rated: FT-1 (*all sizes*), CT Use/IEEE1202 (*1/0 AWG and larger*), FT-4 (*1/0 AWG and larger*)
 Temperature Rated at 90°C Wet/Dry, Cold Temperature Rated at -40°C
 Sunlight Resistant (#6 AWG and larger), Gasoline and Oil Resistant II
 Appliance Wiring Material: Style 3578
 RoHS Compliant

Part Number	Size (AWG or Kcmil)	Strand (no.)	Insulation Thickness (mils)	Nominal Diameter Overall (in.)	Approx. Net Weight (lb./1000')	Ampacity* 90°C Wet/Dry
XHVWT14BK	14	7	30	0.133	19	35†
XHVWT12BK	12	7	30	0.152	28	40†
XHVWT10BK	10	7	30	0.175	41	55†
XHVWT8BK	8	7	45	0.233	66	80
XHVWT6BK	6	7	45	0.271	102	105
XHVWT4BK	4	7	45	0.320	155	140
XHVWT3BK	3	7	45	0.344	185	165
XHVWT2BK	2	7	45	0.374	238	190
XHVWT1BK	1	19	55	0.426	301	220
XHVWT1/0BK	1/0	19	55	0.467	374	260
XHVWT2/0BK	2/0	19	55	0.512	465	300
XHVWT3/0BK	3/0	19	55	0.560	579	350
XHVWT4/0BK	4/0	19	55	0.619	723	405
XHVWT250BK	250	37	65	0.702	850	455
XHVWT300BK	300	37	65	0.759	997	500
XHVWT350BK	350	37	65	0.806	1,173	570
XHVWT400BK	400	37	65	0.851	1,314	615
XHVWT500BK	500	37	65	0.926	1,651	700
XHVWT600BK	600	61	80	1.047	1,972	780
XHVWT750BK	750	61	80	1.145	2,444	885

*Per NEC Table 310.15 (B)(17). †The overcurrent protection for items marked with an obelisk (†) shall not exceed 15 amps for #14 AWG, 20 amps for #12 AWG, and 30 amps for #10 AWG per NEC 310-17 footnote. NOTE: The data shown is approximate and subject to standard industry tolerances.